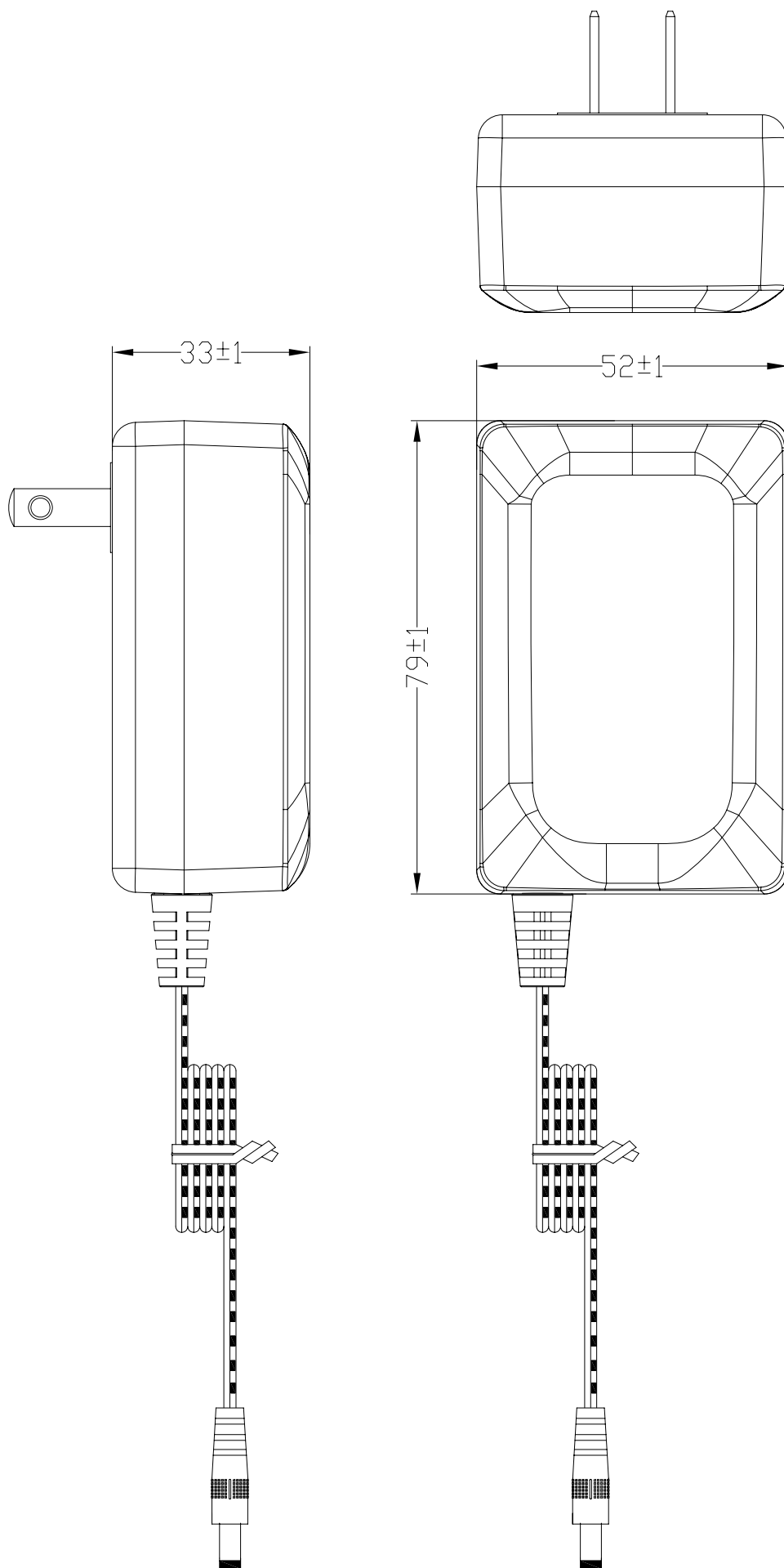
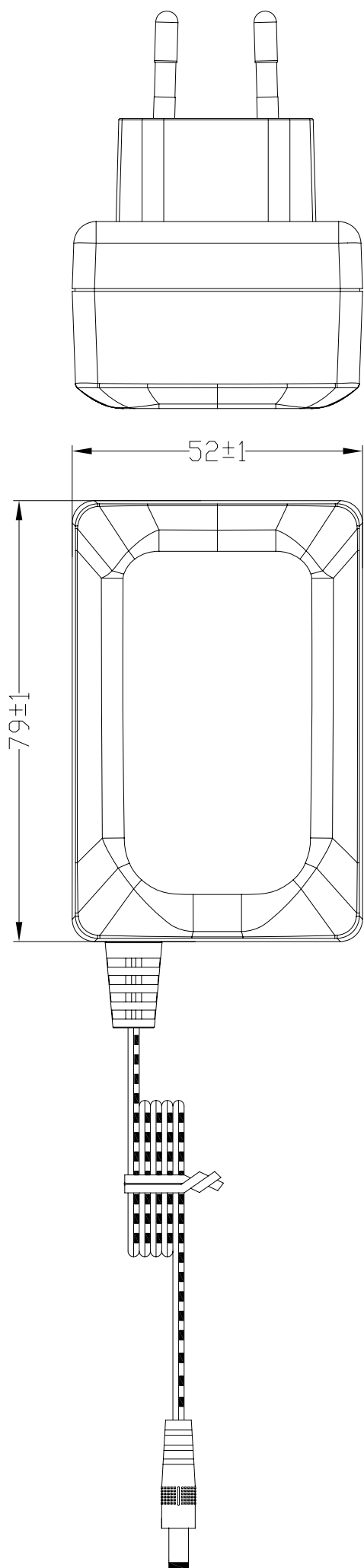
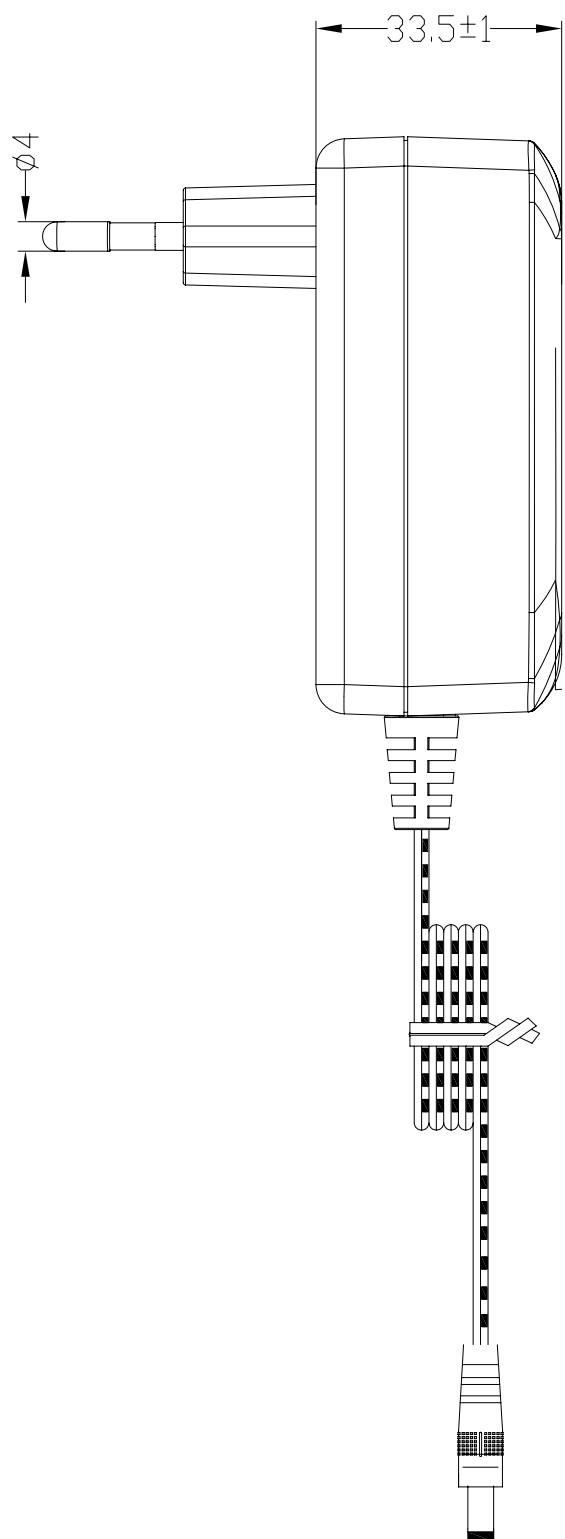


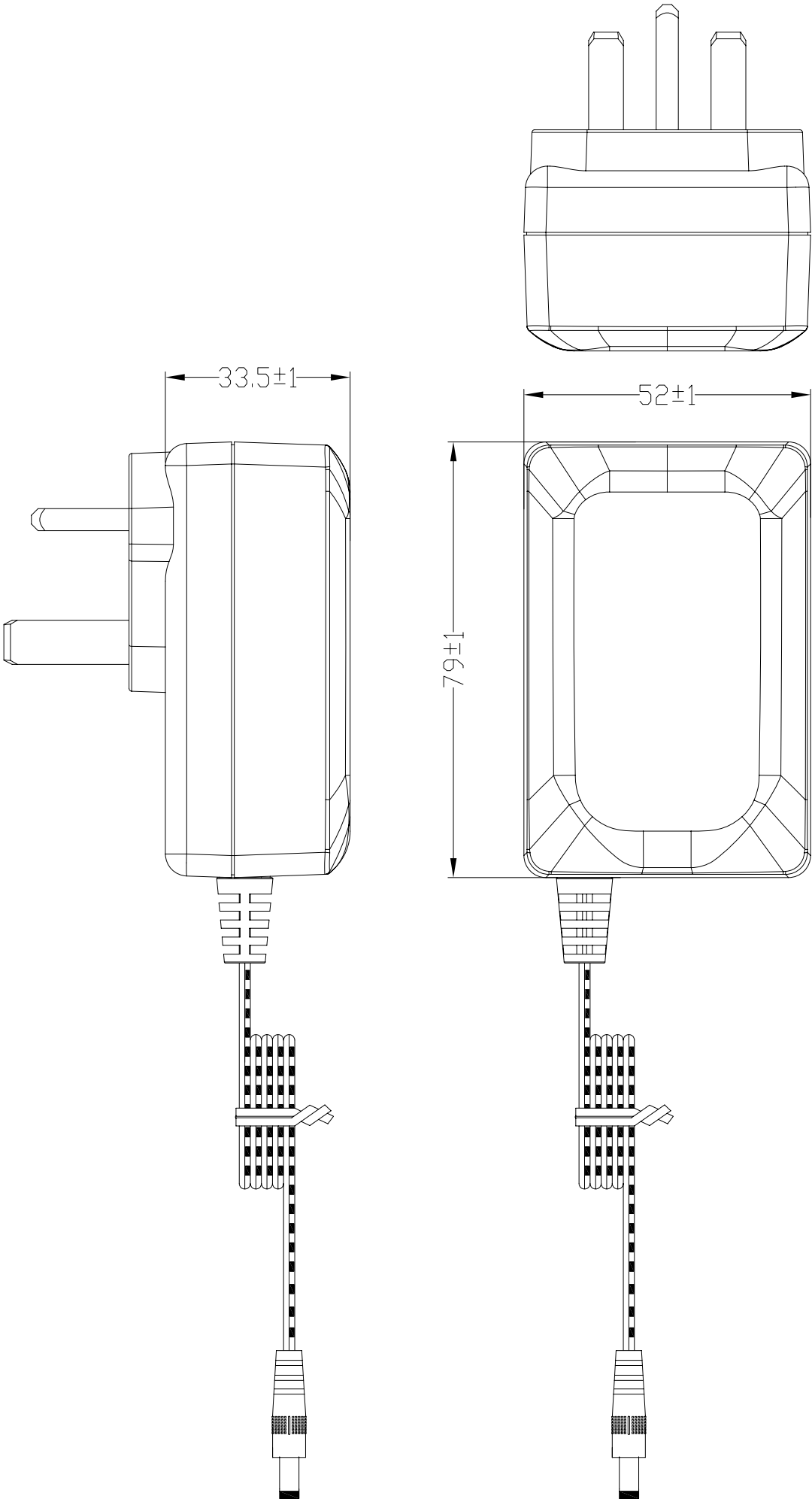
US



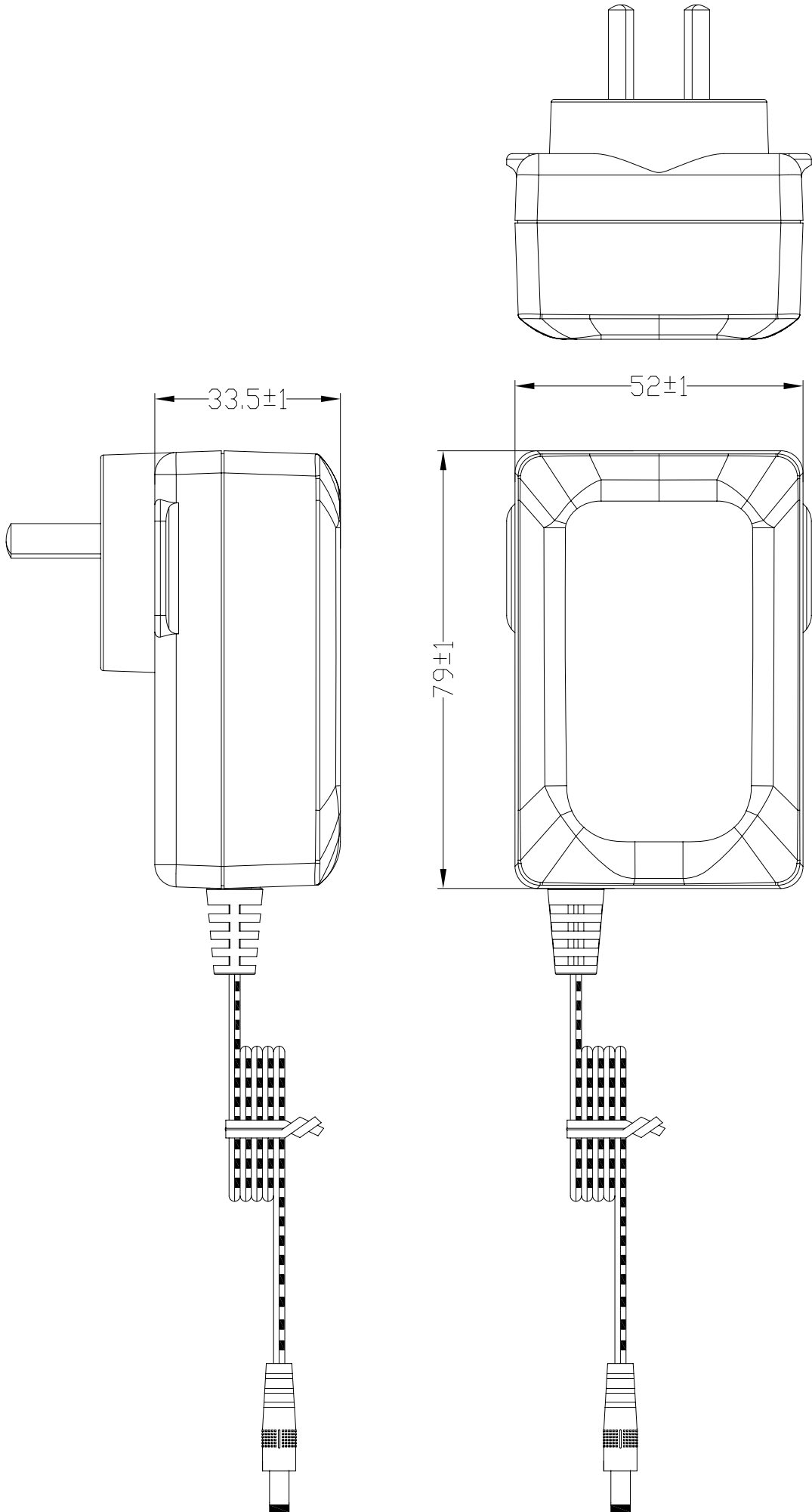
EU



UK

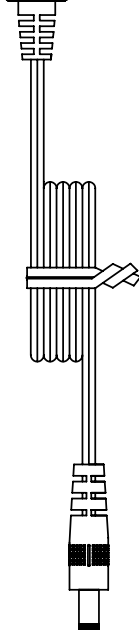
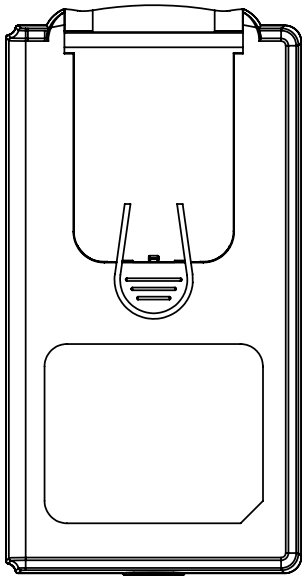
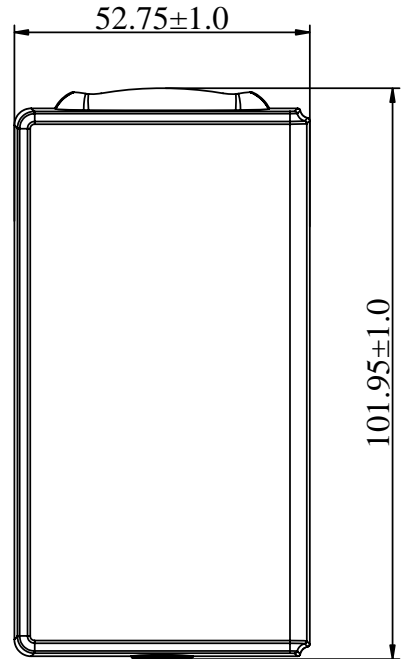
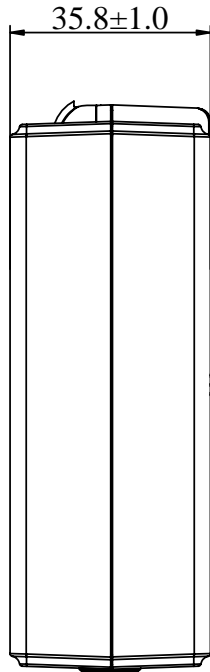
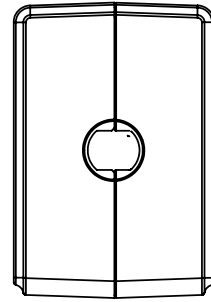
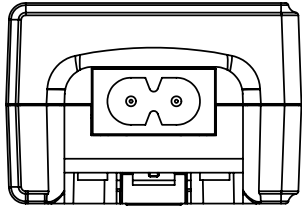


AU



轉換頭

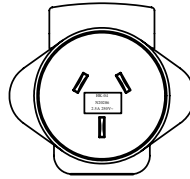
CP



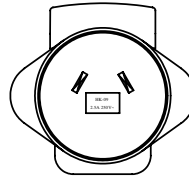
BSI/UK



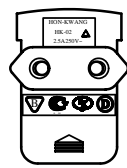
SAA



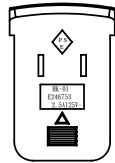
IRAM



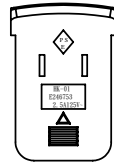
GS/TUV



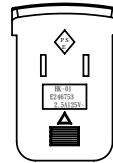
UL



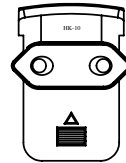
PSE

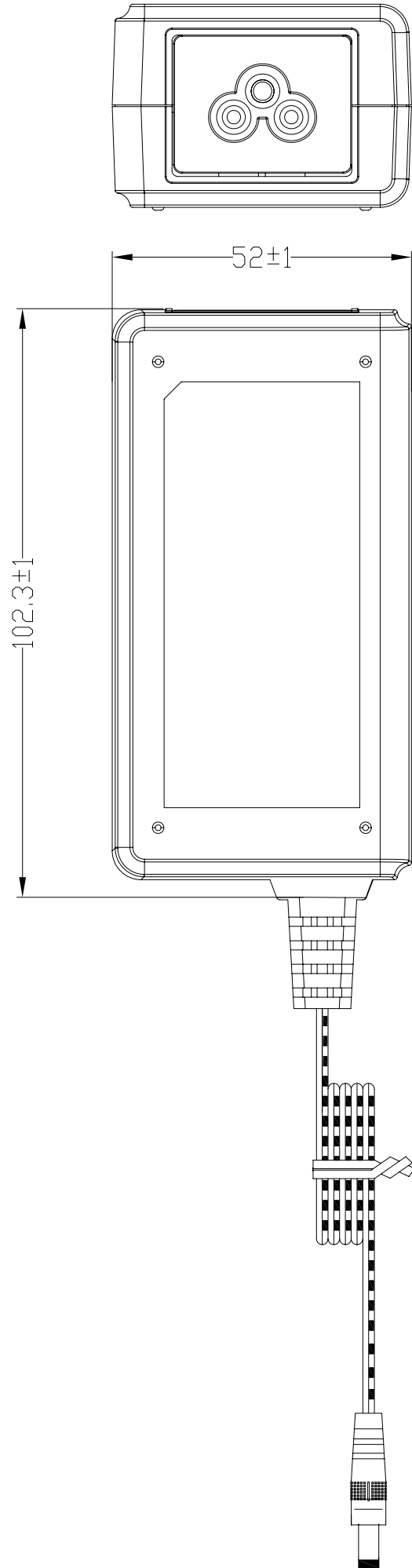
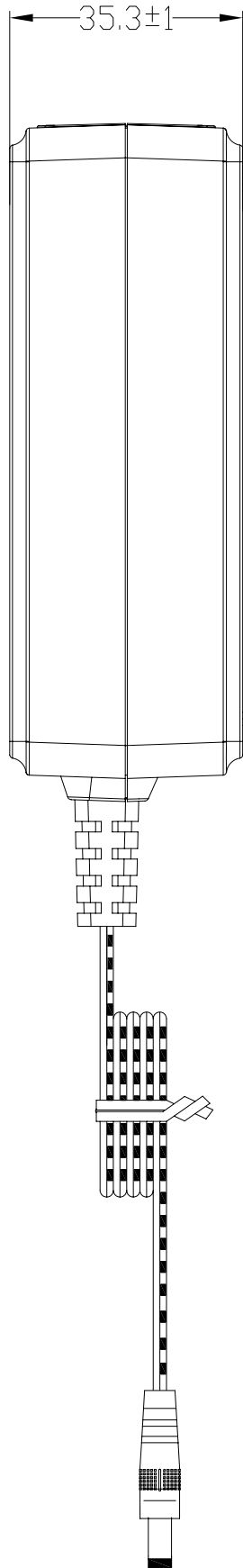


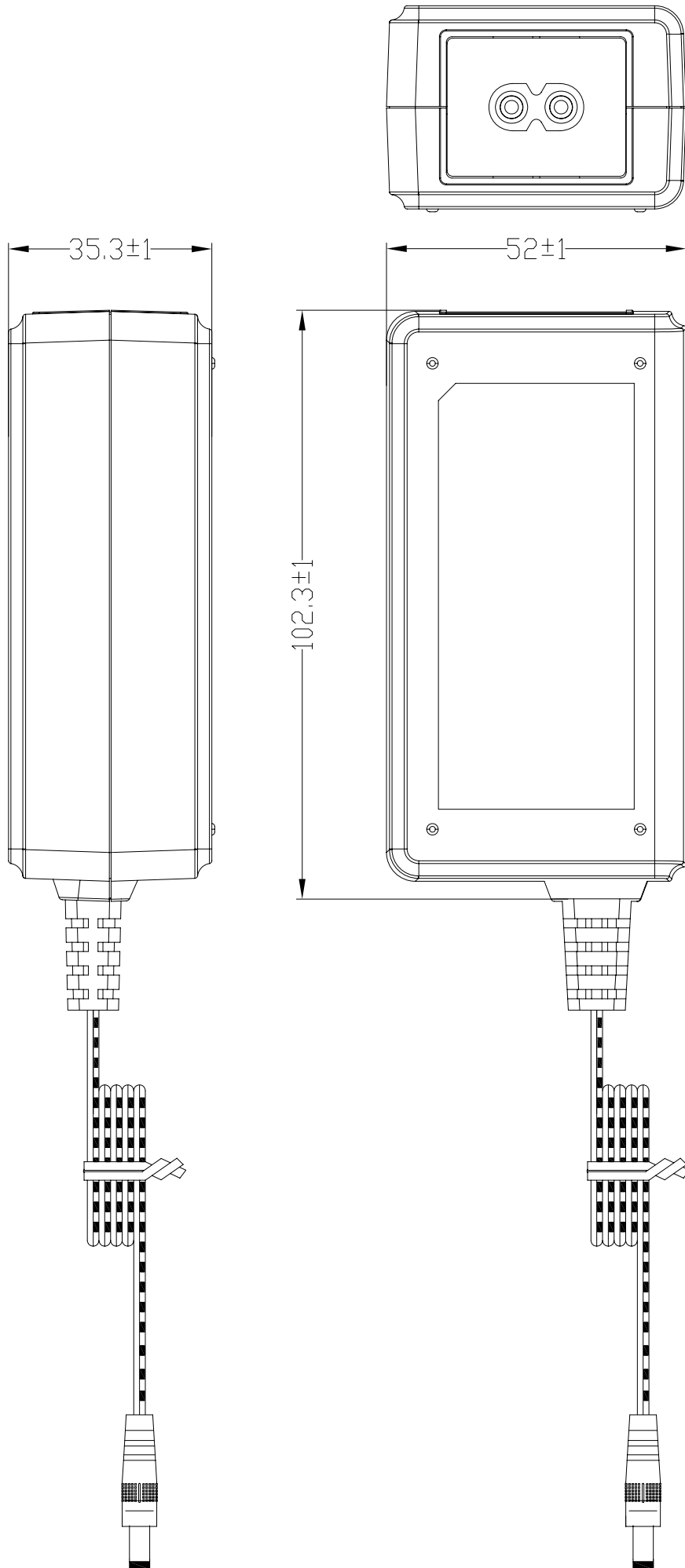
CCC

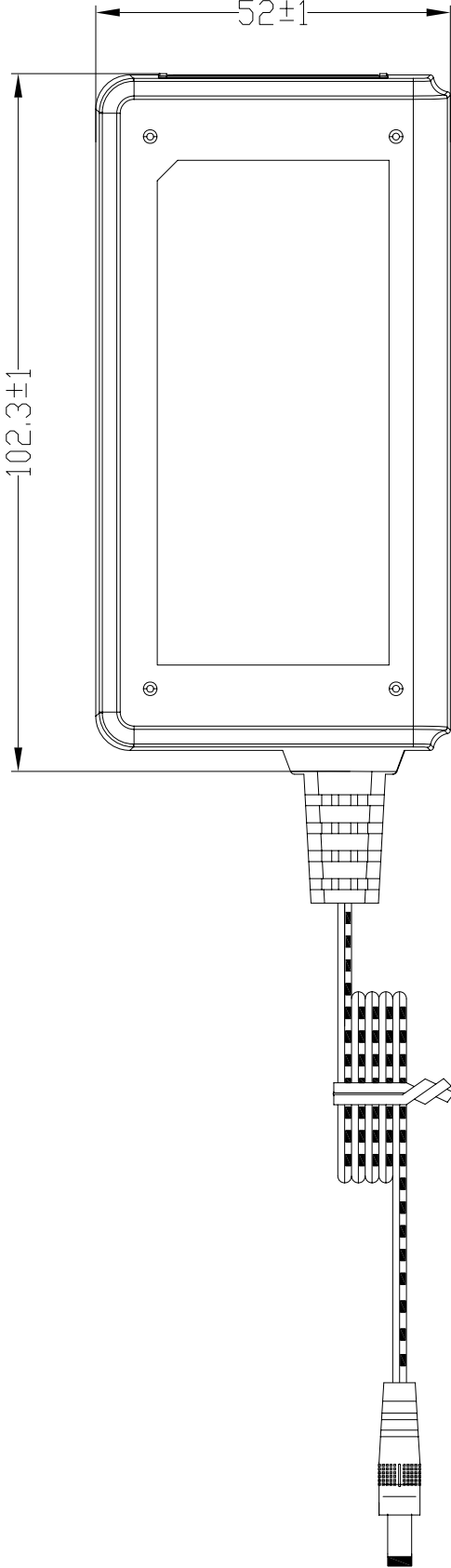
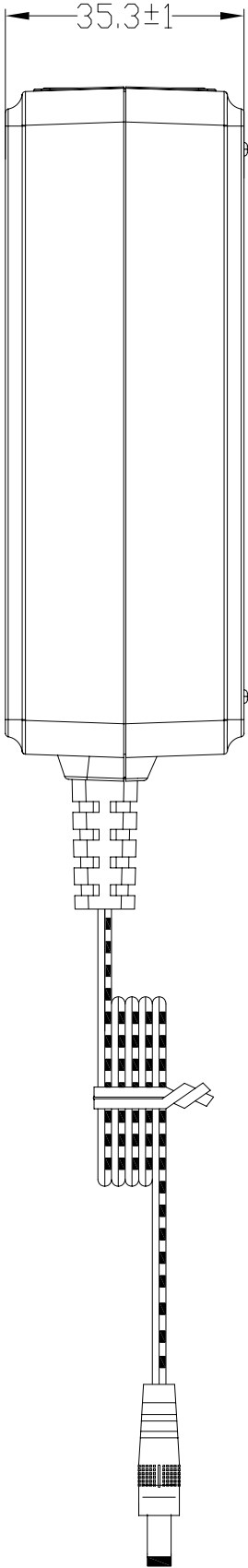
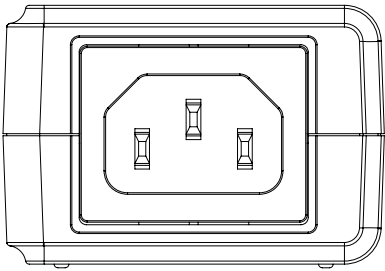


BR

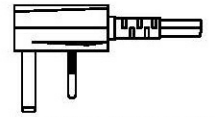




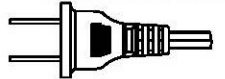




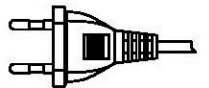
AC PLUG



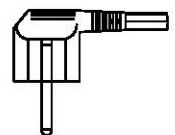
UK CLASS II
OR CLASS I



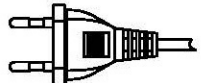
PSE CLASS II



KOREAN CLASS II



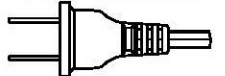
TUV CLASS I



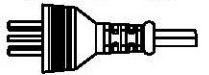
TUV CLASS II



CCC CLASS I



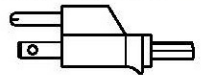
CCC CLASS II



SAA CLASS I



SAA CLASS II



UL CLASS I



UL CLASS II

